

# Fire Alarm Panel

MODEL: Precision SI-19

## Smart & Intelligent Fire Alarm Control Panel

Precision SI-19 model has been developed to provide a simple & reliable solution to the demands of today's fire detection solution.

This model is designed user friendly & cost effective.

The panels comes with three variants—1 to 16 zone; 17 to 32 zone and 33 to 48 zone. Each zone can support upto 25 Nos of max zone length should be 200 meters with 1.5 sq mm cable.

### Features:

- **128x64 Graphical Display**
- **16-bit Flash Micro-controller with Nano Watt XLP Technology**
- **4x4 Matrix Keypad**
- **Menu Based Operations**
- **Expandable upto 72 Zones**
- **Inbuilt Real Time Clock**
- **Data Logging upto 500 Events**
- **All Zones and Hooter can be enable/disable through Keypad**
- **Auto Calibration feature**
- **Reverse Battery Protection**
- **Low and High Voltage alert on Display**
- **Extra potential free contact for Fire & Fault**
- **Trickle & Fast Charging Facility**
- **Compatible with any make Smoke & Heat Detector**
- **RS 485 Communication for Repeaters**
- **Auto Dialer connectivity facility**
- **Connectivity provision for Mimic Panel**
- **Password facility available for panel monitoring**



## Technical Specification:

### Panel Operating Condition Operating Voltage

AC Power	220v AC, 50Hz $\pm$ 10%
Standby	24 V DC
Operating Temperature	0°C to 55°C
Operating Humidity	95% (non-condensing)

### Zone Operating Condition

Normal Loop Voltage	23v To 24v
Open Threshold Current	4.4 mA
Short Threshold Current	35 mA
Fire Threshold Current	15 – 35 mA
Alarm Outputs	1 A (24v DC) (Normal)

**NB: Hooter output current can be increased as per customer requirement.**

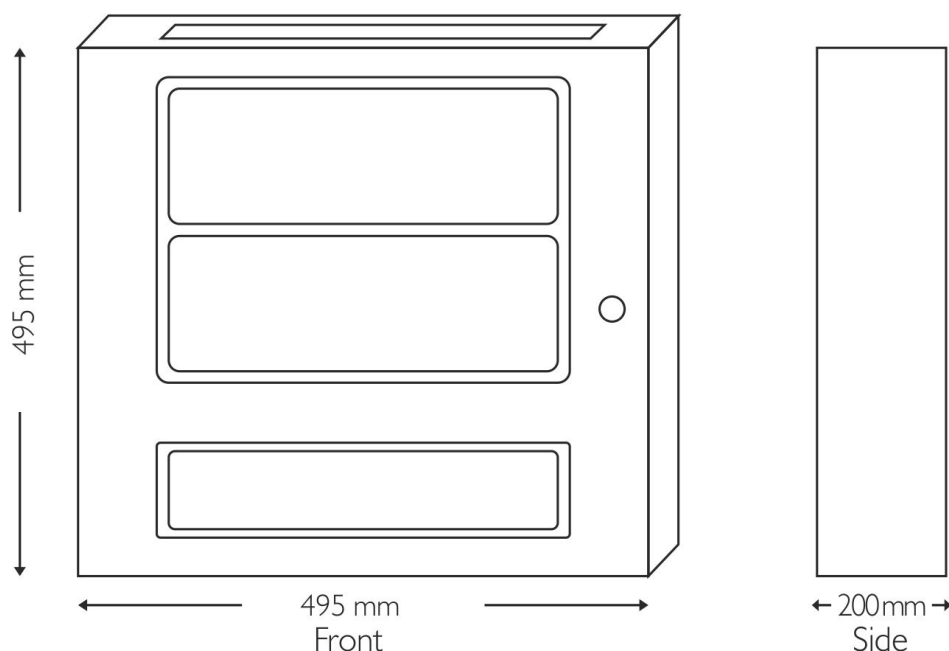
### Remote Outputs

Fire Contact1 (C,NO,NC)	240v AC/24v DC@ 7 Amp
Fault Contact (C,NO,NC)	240v AC/24v DC@ 7 Amp

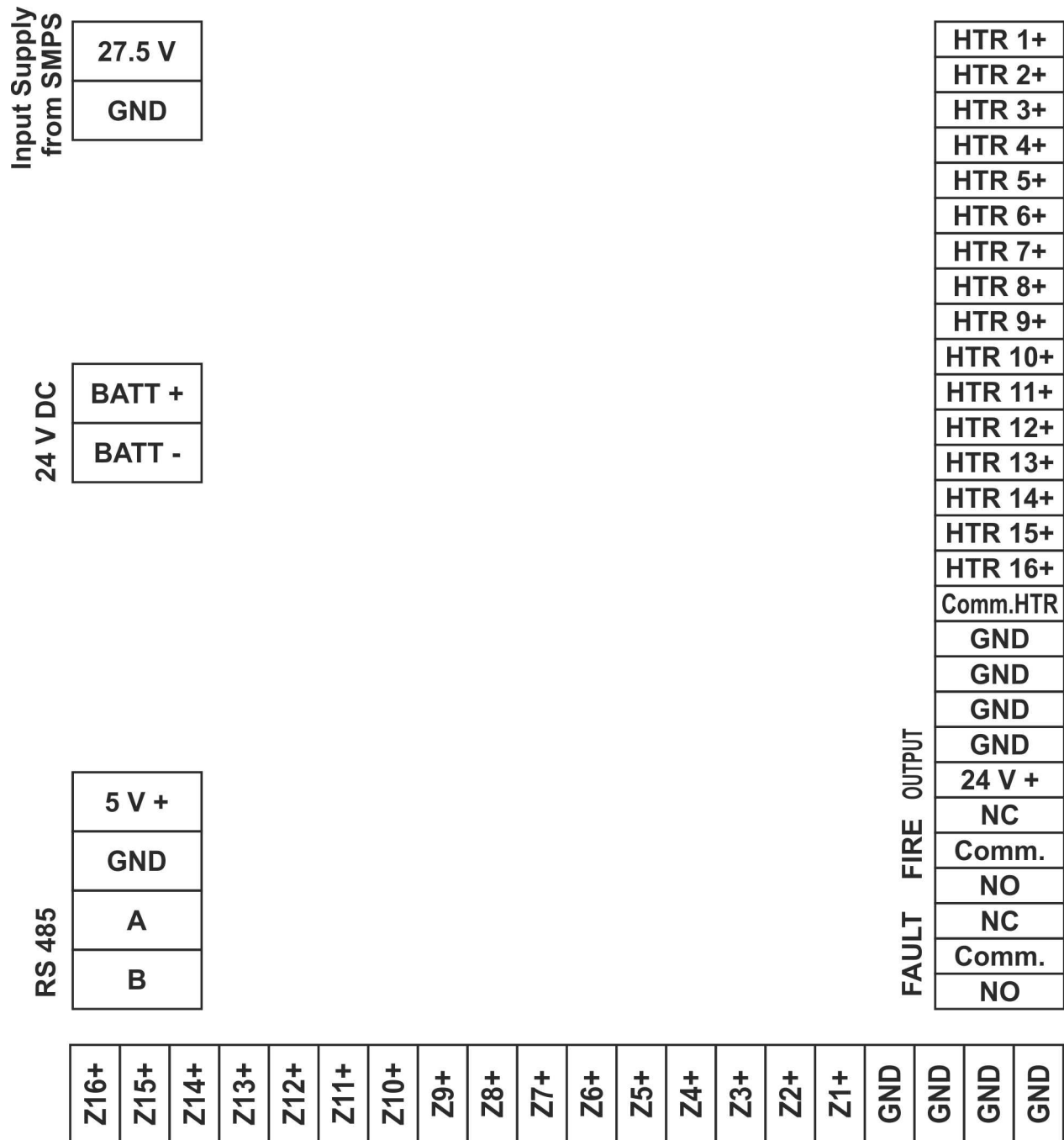
## Mechanical Specification:

Dimension : 495x495x200mm

Weight : 14 Kg (Without Battery)



## Connection Diagram:



## Ordering Information:

Part Number	Pack Quantity	Dimensions (WxHxD millimetres)	Weight
PR-16Z (SI-19)	1 NOS.	495 x 495 x 200 mm	14 Kg
PR-32Z (SI-19)	1 NOS.	NA	NA
PR-48Z (SI-19)	1 NOS.	NA	NA