

Firebus Datasheet

MODEL: SA-1Z-FHN

Firebus is unique design by ASES. The system having a conventional zone line, inbuilt MCP & inbuilt hooter with strobe. The single zone line can handle 8-10 NOS conventional detectors. This model is best suited for small shops, garages, small restaurants.

Features:

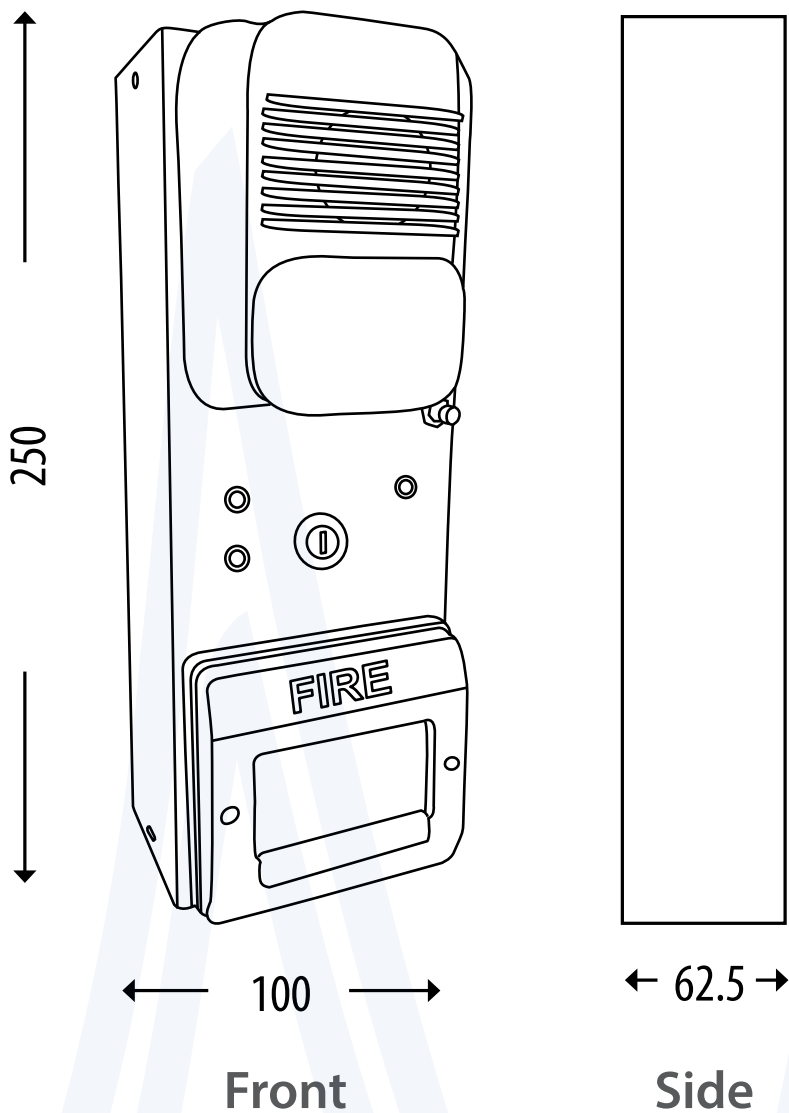
- Inbuilt MCB & Hooter with single zone Fire alarm Panel.
- Battery Charger & Battery backup facility.
- Best usage for shops, showrooms, factories, houses, temporary locations, schools.
- Small size, light weight, cylindrical shape.
- Compatible with up to 8-10 smoke detector(any make)
- System off, system normal, system silence facility.
- System healthy, fire, A.C.fail indications.
- External Hooter & M.C.B connectivity Facility.

Technical Specification:

Panel Operating Condition Operating Voltage

| | |
|---------------------|-------------------------------|
| AC Power | 220v AC, 50Hz ± 10% |
| Power I/P | 230V.AC/12V.DC |
| Housing Color | Red Body |
| No. of Zones | Single Zone |
| Power consumption | 10 watt/200 Watt(Normal/Fire) |
| Weight (with Batt.) | 3 Kg |
| Dimensions | 10" x4" x2.5" |
| Detection o/p | 12V DC |
| Hooter o/p | 12V DC |





| Part Number | Pack Quantity | Dimensions (WxHxD millimetres) | Weight |
|-------------|---------------|-----------------------------------|--------|
| SA-1Z-FHN | 1 NOS | 130 x 320 x 120 | 3 Kg |