



Protecting Property Saving Lives



*Intelligent*

# ADDRESSABLE FIRE ALARM SYSTEM

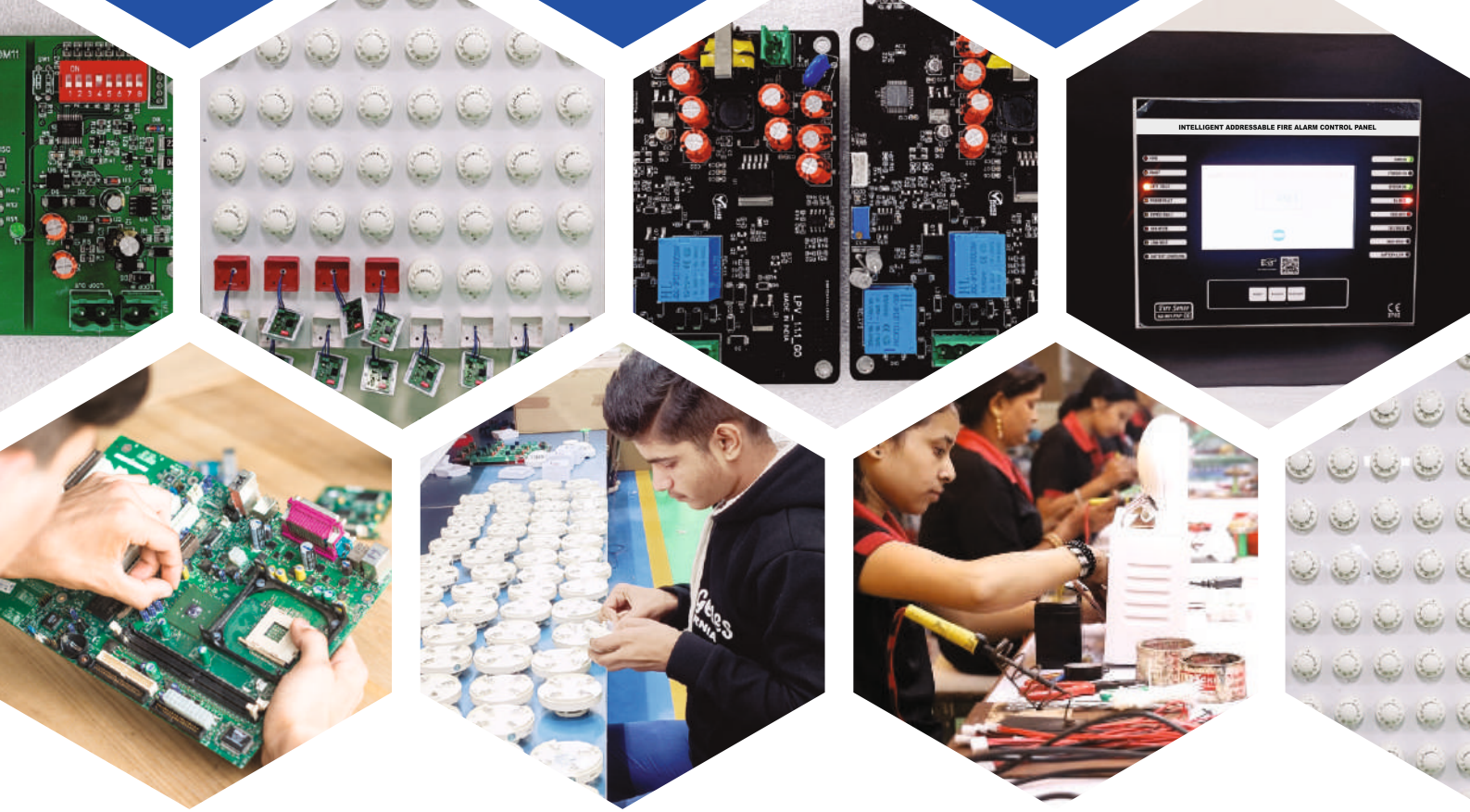


भारतीय उत्पाद खरीदे,  
क्योंकि आप में है भारत

[www.asesindia.com](http://www.asesindia.com)



**ERTL**  
as per IS: 2189



## Company Profile

ASES has its corporate head office in Ghaziabad, U.P and branch offices in major cities. We have a distinctive niche in manufacturing a wide range of Fire Alarm Systems (Conventional/Addressable), PA/VA System, Two way fire fighting Jack System, Fire Rated Doors, Electrical Control Panels, Fire Suppression Systems, and Emergency-Exit-Lights.

ASES's manufacturing is always in progress to the best and we do have two bigger units for production. We aim at manufacturing our products to not only have a beautiful appearance but also that the customers perceive something of great intrinsic value when they use it. We constantly strive to create future products that can prevent economic lows with technological highs.

The future of its manufacturing is that ASES is to play an indispensable role in an Indian supply chain. This would be achieved by having the strength of the three combined effects; meeting the needs of the marketplace, advanced technology, and high quality. Therefore, we will continue to provide the market with reliable quality by making full use of our core technology of forging and investing for the future.

Our success will be validated when the end users use the product and "feel the utmost protection to the wealth". We will create an unlimited future through valued manufacturing. The company has core staff strength at the executive level, sales, research & development, production, quality, technical support and associated departments etc. in complete customer satisfaction in all areas of activities. A complete and integrated network of engineers, management professional's also abundant skills and resources make it easier to cater to all sorts of requirements of our valued customers.

In a significant development, ASES has Head offices in Ghaziabad (U.P.), Delhi, Kolkata, Mumbai and Bangalore. Our fire alarm systems, PA/VA systems are tested as per IS:2189, by electronics regional test laboratory (NABL Accredited) - Govt. of India.

# Intelligent Addressable Fire Alarm Control Panel - 1 & 2 Loop

ASES-AS-801-SFAP Standalone Panel is Intelligent Addressable Fire Alarm Panel. It is the next step/upgrade from conventional fire panels with the added feature of being able to pin-point the exact detector and there by the location of the fire. The Addressable Fire Panel can intelligently communicate with a wide variety of detectors and devices such as Heat Detector, Smoke Detector, Multi Detector, Mini Sounder with Strobe and Indicators etc. ASES-AS-801-FAP 1L/2L is a single loop panel is for up to 125/250 devices (ASES Proprietary Protocol).

## 1-2 Loop Panel

- Panel is designed to keep its functions & programming simple & user friendly.
- Panels are expandable from 1-2 loops.
- Each loop is capable of supporting 125 Nos. of detectors/devices any combinations
- Create 20 zones per panel.
- Operated by 7.8" Touch Screen
- The robust panel is backed by a powerful SMPS Power Supply.
- Power Supply is designed with inbuilt battery charger.



## Repeater Panel

- Operated by 7.8" Touch Screen
- Touch Screen for easy operation.
- On Board three feather touch switches to Reset, Silence & Evacuate in Main Fire Panel.
- Remote Silence and Reset with Touch Screen.
- Time setting & addressing programming can be done through Laptop.
- Remote control of ASES main panel in the network/system.
- Audio visual warning for Battery Fault, Power Fault, Common Fire.

# Intelligent Addressable Fire Alarm Control Panel - 5 & 10 Loop

ASES Intelligent Addressable Fire Alarm Control Panel are specially design & develop on ASES FIRENET proto call. It is a range of compact & feature rich, modern-age panel that are design keep in mind the need of customers. Panel is designed to keep its functions & programming simple & user friendly.

Panels are fully expandable from 1-10 loops and supplied 7.8" inch screen. Each loop is capable of supporting 125/240 Nos. of detectors/devices any combinations basic model comes without loop cable can cannot 5 nos. of single cards. The control panel can be programmed locally through 7.8" touch screen. No external Dongle or special cable required for panel programming. For authentication multilevel password is provided. These password can be changed as per user requirements.

The robust panel is backed by a powerful SMPS Power Supply with all kind of protections high voltage, short circuit, reverse battery, low battery, earth fault, voltage fluctuation. Power supply is designed with inbuilt battery charger that can charge battery upto 2x12V 17Ah battery.

For complex applications, it can be installed in a NTWKP2P-V1.0.0 network card (up to 32 control panels) where zones and areas controlled by detection devices can be managed via sophisticated programmable logics to trigger events on the central unit.

Installing additional boards, it is also possible to add peripheral devices to the main panel like Keyboards, Printers, and LED Panels.

Connected detectors and devices are monitored and diagnosed via the control panel. All the test procedures can be performed via ASES AS- 801 FAP to assess the status of each component simplifying and speeding up periodic maintenance process. Nonetheless, diagnostic data and historical data recorded can be easily exported in Excel format.

A simple and ergonomic touch human machine interface allows any type of user an intuitive interaction without time or training costs. All configuration steps are immediate and the self-programming and self-addressing mechanisms allows to recognize, interrogate and program devices in the field quickly, systematically and without errors.

The control panel can be customized for all installation conditions: mechanics color, display background, color of the programmable LEDs, logo displayed on the welcome screen and language can be chosen as desired.



## Customer Benefit

- ✓ Reduce training time for Installer and End User.
- ✓ Leverage from Smart Edge and Advanced Detection Technology benefit
- ✓ Scalable platform, natively ready for future expansion.
- ✓ No Special tools or specialized engineer needed for commissioning.
- ✓ Fast commissioning of the full network from one panel.
- ✓ Complex Emergency Plan Execution.

# Features

- ✔ Microprocessor based Intelligent Addressable Fire Alarm System.
- ✔ ASES-801 Series Devices (ASES Proprietary Protocol) support.
- ✔ 125/240 Compatible devices per loop. (Any combination).
- ✔ Create 20 zone per panel.
- ✔ Operated by Touch Screen (No Keypad Required).
- ✔ Easy commissioning only used by Touch Screen/Laptop
- ✔ Device addressing from panel through Laptop/Keypad
- ✔ Expandable upto 5 Loop/10 Loop maximum.
- ✔ Compatible with 625/1250 devices per panel
- ✔ Support for multilevel passwords
- ✔ Support multiple users
- ✔ Store 5000 events work on FIFO
- ✔ Led Indication- Main ON, Standby ON, System ON, Battery Fault, Fire Fault, Device Bypass Fault, Silence Evacuate, Test Mode & Ack. of event
- ✔ Self-Diagnosis Loop Device
- ✔ Auto Scan Loop Device
- ✔ Short Circuit Protection. (If the loop gets a short circuit situation, then loop power will be cut-off until you get to resolve it)
- ✔ Mock Drill Facility
- ✔ RS 485 Port available for repeater
- ✔ SMS, GPRS, Ethernet, Wi-Fi, Cloud Reporting (Optional)
- ✔ Common Fire & Fault Relay
- ✔ Network Card-NTWK\_P2P\_V1.0.0
- ✔ Printer Module-AS-800-PTR
- ✔ MODBUS Card- AS-800-MODIP

# USPs

ASES Proprietary Protocol Support first indigenously developed panel for ASES Easy Configuration using PC utility Inbuilt RS-485 port is provided for Repeater Panel.

Up to 8 panels can be networked on RS485 Proprietary.

Easy to download event big history to laptop in excel format. Panel can be devices addressing through touch screen/ laptop with ASES software file.

Technical Data	
Power Supply	120-240 V AC 50/60Hz
Battery Charger	Max 5 Amp.
Used Battery	2x12V 15ah
Display	1024x786mm, 7.8" inches (Touch Screen)
Dimension	5 Loop/10 Loop (510*410*115/900*450*160)mm
Housing Color	Black/Red/White
Weight Without Battery (Kg)	5 Loop (10 KG) / 10 Loop (21 KG)

# Addressable Devices



## Heat Detector

- ✓ Addressable programmable multi detector.
- ✓ Addressing in site from ASES Programmer Unit.
- ✓ Twin LED allows 360-degree viewing.
- ✓ Normal Mode green LED blinking & Fire Mode Red Continuous ON.



## Smoke Detector

- ✓ Address programmable through ASES- RPTU.
- ✓ Dual LED design provides 360° viewing
- ✓ Remote indicator output available. Alarm flag for fast alarm reporting
- ✓ Responds well to slow burning, smouldering fires



## Multi Detector

- ✓ Addressable programmable multi detector.
- ✓ Addressing in site from ASES Programmer Unit.
- ✓ Twin LED allows 360-degree viewing.
- ✓ Normal Mode green LED blinking & Fire Mode Red Continuous ON.



## Monitor Module

- ✓ LED - Green Blink in Healthy Condition / Steady RED in Alarm Condition
- ✓ Used to monitor any Conventional Device.
- ✓ Electronically addressed through DIP Switches.
- ✓ Monitors switch contacts of remote equipment.



## Control Module

- ✓ Multiple contacts module is available (optional).
- ✓ Use to control to any Conventional Devices.
- ✓ Available Loop Sounder Output.
- ✓ Electronic address can be modified in the field.



## Sounder with Strobe

- ✓ Operates on 24VDC
- ✓ 100db +/- 5db @ 1 mtr.
- ✓ Multi Tone Type
- ✓ We can use as loop sounder also



## Mini Sounder

- ✓ Operates on 12/24Vdc
- ✓ 90-95db +/- 5db @ 1 mtr.
- ✓ Multi Tone Type
- ✓ We can use as loop sounder also



## (Manual Call Point)

- ✓ At normal, Green-LED blinking duration of 14 sec.
- ✓ Steady glow of Red LED indicates the alarm condition.
- ✓ Addressable Programmable Manual Call Point.



## Zone Monitor Module

- ✓ LED - Green Blink in Healthy Condition/ RED in Alarm Condition
- ✓ Used to monitor any Conventional Device.
- ✓ Capable to monitor conventional zone event like Fire, Short, Open
- ✓ Integrated with 4 LED indication for System ON, Open, Short & Fire.



## Fault Isolator

- ✓ Used to isolate the rest part of loop where fault done
- ✓ Addressable programmable multi detector
- ✓ Addressing in site from ASES Programmer Unit.
- ✓ Twin LED allows 360-degree viewing.



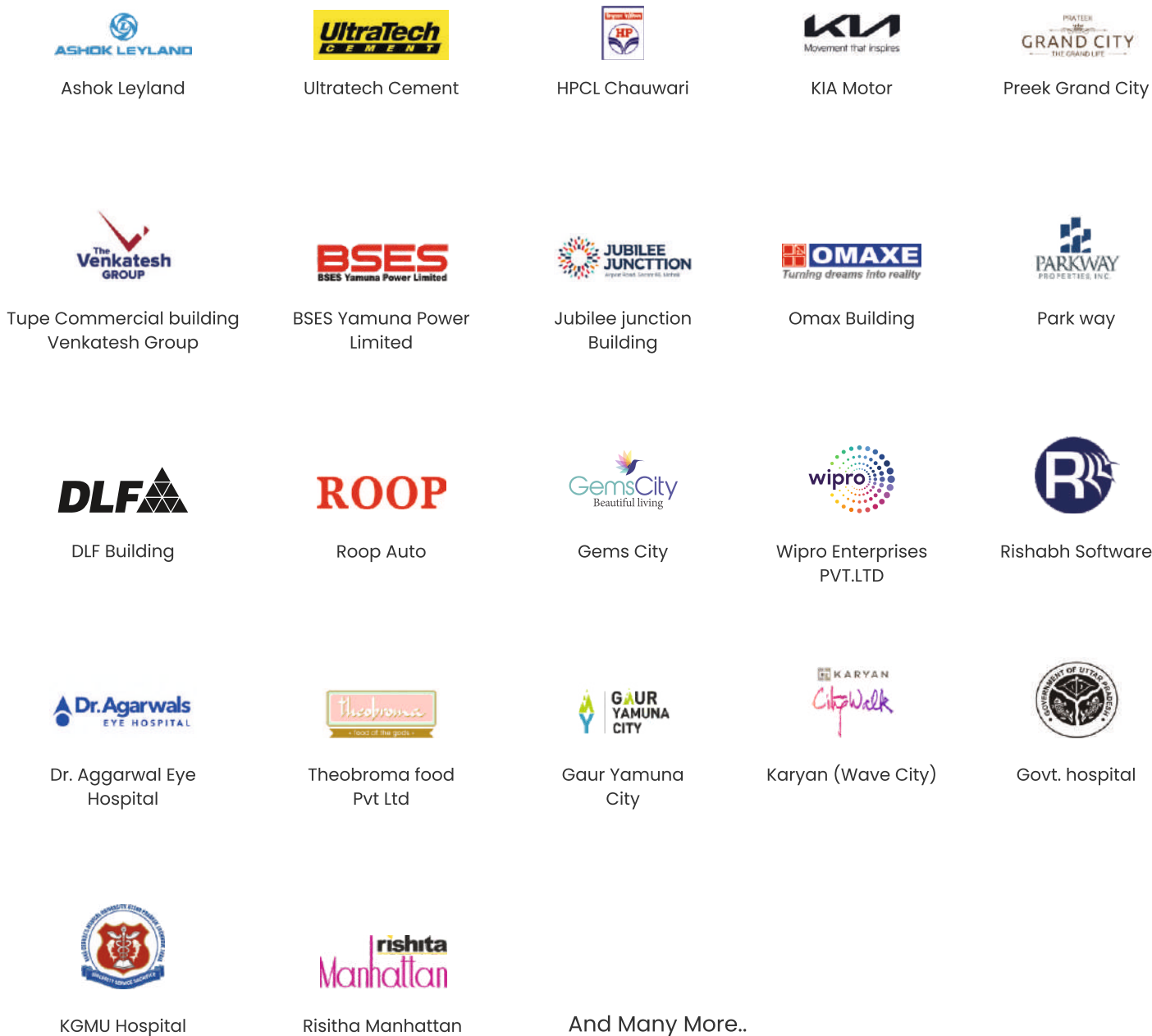
## Beam Detector

- ✓ Hassle free alignment, built with digital guide display and laser beam pointing.
- ✓ Employ single-ended design through reflective mirror.
- ✓ Four ranges wide monitoring from 8-100 metres via encoder.
- ✓ Three users programming sensitivity adjustment.

# Approvals



# References



**INTELLIGENT  
ADDRESSABLE  
FIRE ALARM SYSTEM**



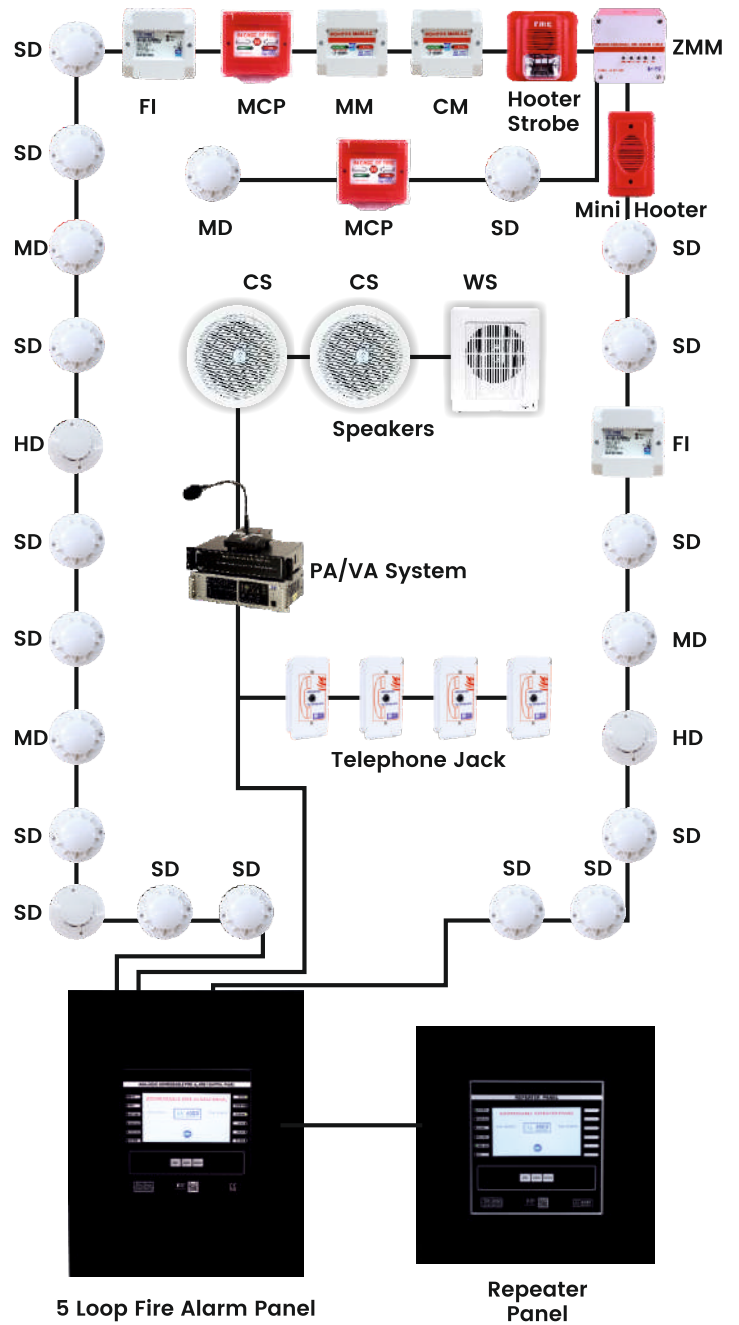
**Addressable Devices**



**PAVA & FFTH Solution**



**System Configuration**



**Head Office**  
301, Aggarwal Tower, L.S.C-II, Mandawali  
Patparganj, Delhi-110029

**Kolkata Office**  
Mira Bhawan, 250, Block-B, Laketown,  
Ground Floor, Kolkata-700089

**Office & Wokrs-Unit-1**  
ASES House, A-2/69, Site-IV, Sahibabad  
Industrial Area, Ghaziabad, U.P.-201010

**Bangalore Office**  
No-18, 2nd Floor, Mataadahilli, Further Extensions, R.T.  
Nagar, Next Building to Himalay, Bangalore -560032

**Office & Works Unit-2**  
Plot No. 52, Toy City, Ecotech-III,  
Greater Noida, Uttar Pradesh-201306

**Mumbai Office**  
7/A-4, Shiv Shakti Industrial Estate, Opp. Damodar  
park, LBS Marg, Ghatkopar (W), Mumbai-400086