

Conventional Sounder with Strobe

MODEL: H-ABS-7

ASES Fire alarm sounder with strobes are audio and visual notification device used to alert trained personnel to investigate possible emergency situations and to take appropriate action. ASES Sounder with strobe is rich with features guaranteed to cut installation times and maximize profits. The sounders can be Flush/ceiling mounted with back plate. The strobe light consists of High glow LED Which give a strong light that can be visible from a long distance. These sounders are specially used in the noisy areas. These sounders can be used for indoor applicatin only.



Features:

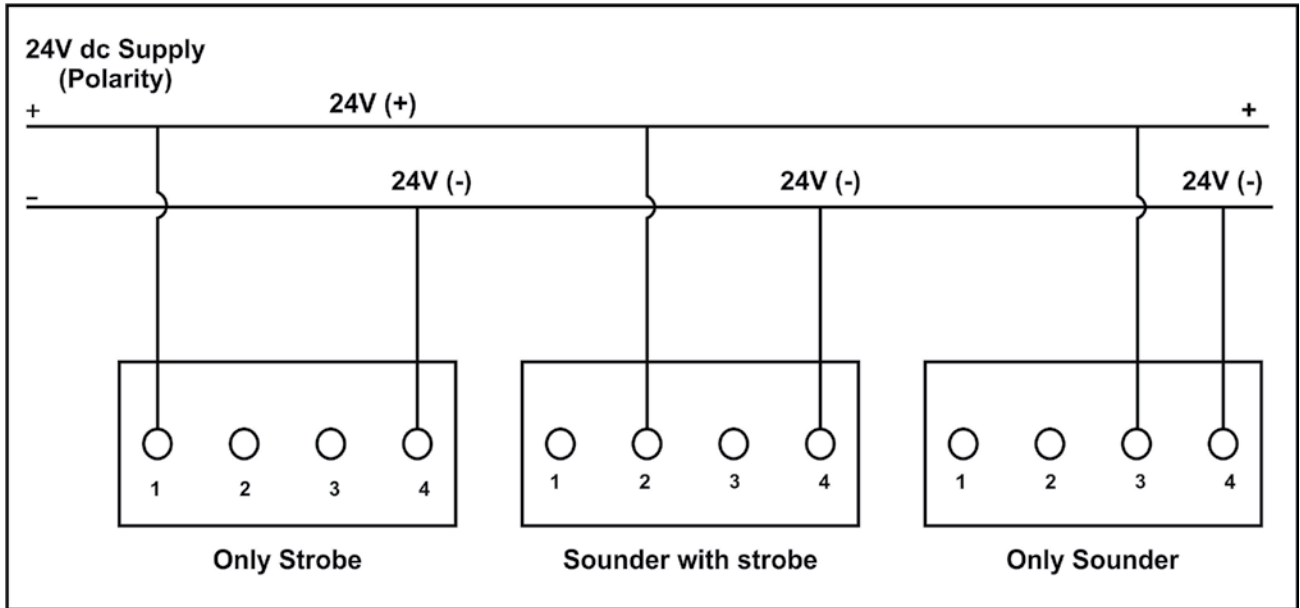
- **Audio and Visual warning.**
- **Plug-in structure and easy installation.**
- **Fast responding time low power consumption.**
- **Celling or Wall Mounting design.**
- **Used in Conventional Sounder circuit only.**
- **Temper-resistence construction.**
- **Can be used as sounder with strobe or sounder without strobe or only Strobe.**



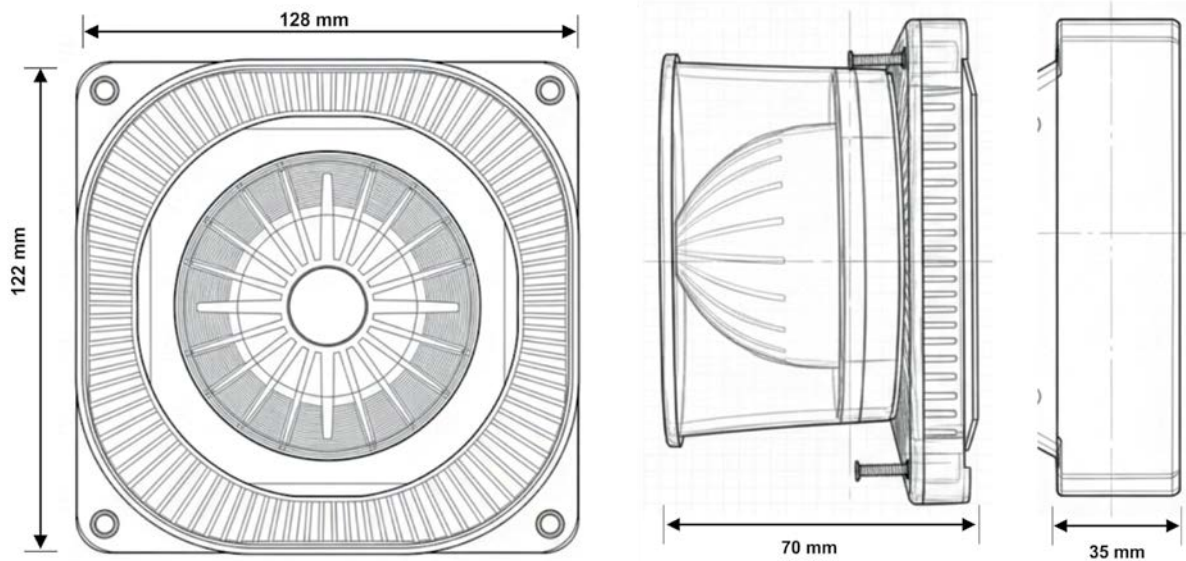
Specification:

Operating Voltage Range	12V dc to 24V dc
Working Current	≤ 60 mA @ 24V dc / 12V dc
Strobe Flash Rate	120 time/min
Relative Humidity	≤ 95%, Non condensing
Standerd Operating Temperature	-10° C to 50° C
Sound output	≥105db
Type of sound output	8 different Types of Sound can be selected through DIP switch
Size	128(w) x 122(H) x 105(D)mm (Approx)
Material of Encloser	ABS Plastic

Wiring and Terminal Details



Physical Dimension



Ordering Information

Part Number	Pack Quantity	Dimensions (WxHxD millimetres)	Weight (with packing box)
H-ABS-7	Individual(1 units)	130 x 130 x 117 (Approx)	428g (Approx)